

9476/9476 MACH II



WEIGHING CONVEYOR

The METTLER TOLEDO model **9476** weigh conveyor is built for industrial applications using C-channel framing along with 2" square tubing for strength and durability. The upper deck is built with a flat steel plate for smooth weighing between the two balanced steel rollers. The weighing mechanics uses four 250 lbs load cells located in the corners to detect weights no matter where the package is tracking along the weigh bed. The system also uses a dual photo eye configuration to detect cartons as they enter and exit the weigh bed, this allows us to get the most allowable weigh time for each carton no matter the length. The dual photo eyes also allows the unit to detect if a carton enters the scale before the previous carton has exited so no bad weights are averaged into the final output.

The METTLER TOLEDO model **9476 MACH II** weigh conveyor is built to run at speeds from 250 FPM (feet per minute) to 600 FPM. The primary difference from the standard machine is that all the framing and rollers above the load cells are made of aluminum, which decreases the top load weight and increases the readability of the load cells. The aluminum rollers are spin balanced to a much tighter spec, and a seamless woven belt is added to reduce vibration.

Applications

- OEM machinery
- Check weighing
- Shipping and receiving

Standard Features

- Standard belt size: 24" x 47"
- 32" +/- 2" conveyor height
- Four (4) load cells
- Dual photo eyes
- Fixed belt speed (30-240 ft/min.)
- Black PVC, coated belt construction
- 2 Sets of documentation with each order

Options

- Custom length/weight/height conveyors
- Variable belt speed
- USDA/Food construction (304 stainless steel frame/ FDA Approved white PVC belt)
- CSA Construction
- Hazardous Area construction
- MACH II Construction (speeds up to 600 ft/min.)

Specifications

Environmental protection:

Black, polyurethane painted mild steel construction or Stainless steel

Hazardous protection:

9476: Class I or II, Division I or II, groups C, D, E, F, and G (Optional)

Custom sizes:

9476: 12" through 42" W/ 24", 36", 44" through 84" L/ 24" through 56" H
(± 2" adjustable)

9476 Mach II: 24" through 42" W/ 47" through 84" L/ 24" through 56" H

Capability:

9476: 15 to 100 cartons per minute

9476 Mach II: 45 to 160 cartons per minute

Speed:

9476: Fixed – 30 through 240 feet per minute/ Variable - 30 to 100, 80 to 160, 120 to 200, 150 to 240 feet per minute

9476 Mach II: Variable from 250 through 600 feet per minute

Load cells:

Four (4) 5,000 division, 250 lb analog load cells

Photoeyes:

9476 & 9476 Mach II: Two (2) UL & CSA approved Standard reflective for packages over 2" high, or an optional banner send receive for packages down to 1/4" high

Motor:

9476: 1/4 Horse power for scales smaller than 24 W x 47 L, 1/2 Horse power for scales 24W x 47L and larger - 56C-face, TENV, 220/440v 3Phase

9476 Mach II: 1 Horse power (all sizes) – 56C-face, 220V, 3 phase

Belts:

9476: Seamless Habiset black or USDA approved seamless white

9476 Mach II: Woven belt (no seam)

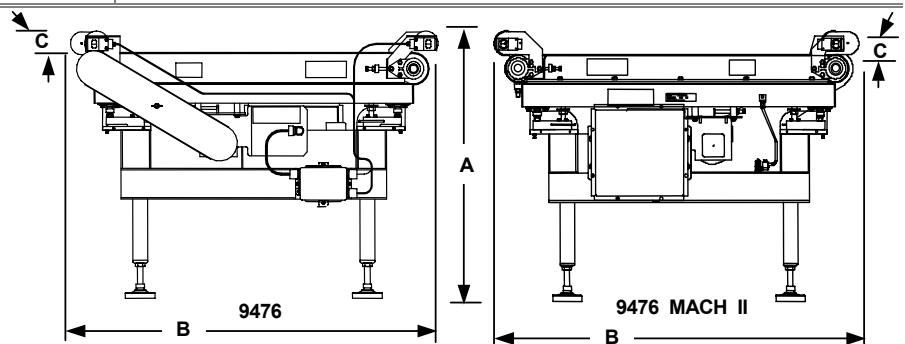
9476 Mach II special features:

Anodized aluminum deck and mid frame

Highly balanced aluminum rollers

Dimensions (in inches)

| | 9476 (Std.) | 9476 MACH II (Min.) |
|---|-------------|---------------------|
| A | 32" | 24" |
| B | 47" | 47" |
| C | 24" | 24" |



Checkweighing

9476 Conveyor Model Number Configuration

| | Size | Height | Finish | Belt Speed | Motor Voltage |
|---|------|--------|--------|------------|---------------|
| 9476# | XX | X | X | X | X |
| Configuration | | | | | |
| *Includes: Belt conveyor, load cells, and 9410 high speed junction box or analog junction box | | | | | |

| | Configuration | Description | Lead-Time Standard 4 wks |
|--|---------------|---|--------------------------|
| Standard Size | GD | 47" long x 24" wide x 32" height | 4 wks |
| Special | GT | 60" long x 24" wide x 32" height | +4 wks |
| | 1A | 24" long x 12" wide x 32" height | +4 wks |
| Custom Width and Length | See Note 3 | Up to 42" total width Up to 84" total length | +6 wks |
| Height (Adder to standard and special pricing only) | A | 24" ± 2" | +1 wk |
| | B | 26" ± 2" | +1 wk |
| | C | 28" ± 2" | +1 wk |
| | D | 30" ± 2" | +1 wk |
| | E | 32" ± 2" | 0 |
| | F | 34" ± 2" | +3 wks |
| | G | 36" ± 2" | +3 wks |
| | H | 38" ± 2" | +3 wks |
| | J | 40" ± 2" | +3 wks |
| | K | 42" ± 2" | +3 wks |
| | L | 44" ± 2" | +3 wks |
| | M | 46" ± 2" | +3 wks |
| | N | 48" ± 2" | +3 wks |
| | P | 50" ± 2" | +3 wks |
| | R | 52" ± 2" | +3 wks |
| S | 54" ± 2" | +3 wks | |
| T | 56" ± 2" | +3 wks | |
| Finish | A | Mild steel black | 0 |
| | 1 | Stainless steel (USDA) | +6 wks |

| | Configuration | Description | Lead-Time Standard 4 wks |
|---|---------------|----------------|--------------------------|
| Belt Speed (Fixed) | A | 30 FPM | 0 |
| | B | 35 FPM | 0 |
| | C | 40 FPM | 0 |
| | D | 45 FPM | 0 |
| | E | 50 FPM | 0 |
| | F | 60 FPM | 0 |
| | G | 70 FPM | 0 |
| | H | 80 FPM | 0 |
| | J | 90 FPM | 0 |
| | K | 100 FPM | 0 |
| | L | 120 FPM | 0 |
| OR Belt Speed (AC Variable) | M | 140 FPM | 0 |
| | N | 150 FPM | 0 |
| | P | 160 FPM | 0 |
| | R | 180 FPM | 0 |
| | S | 200 FPM | 0 |
| | T | 220 FPM | 0 |
| | U | 240 FPM | 0 |
| | K | 30 to 100 FPM | +2 wks |
| | P | 80 to 160 FPM | +2 wks |
| | S | 120 to 200 FPM | +2 wks |
| | U | 150 to 240 FPM | +2 wks |
| Motor Voltage (Fixed Speed) OR Motor Voltage (Variable Speed) | A | 220 VAC/60 Hz | 0 |
| | B | 440 VAC/60 Hz | 0 |
| | C | 575 VAC/60 Hz | 0 |
| D | 220 VAC/60 Hz | 0 | |
| E | 440 VAC/60 Hz | 0 | |

9476 MACH II Conveyor

| Description | Lead-Time Adder ¹ |
|-------------------------------|------------------------------|
| Includes custom size conveyor | 6 wks |

Options

| Order Number | Description | Lead Time Adder ¹ |
|-----------------------|--|------------------------------|
| KA274538GD000 | 47" x 24" (black) | 0 |
| KA274538GT000 | 60" x 24" (black) | 0 |
| KA2767321A000 | 24" x 12" (black) | 0 |
| KA275344GD000 | 47" x 24" (white) | 0 |
| KA275344GT000 | 60" x 24" (white) | 0 |
| KA2767331A000 | 24" x 12" (white) | 0 |
| Hazardous Area | Explosion-proof motors and photo eyes Hazardous Areas | +6/8 wks |
| CSA Construction | For Units Destined for Canada | +3 wks |
| KA277628 ² | Spare Parts Kit | |

Notes:

- To determine actual lead-time add the standard 4 weeks to the lead time adder.
- For full spare parts kit number, add configuration number, same as conveyor.
- For a custom length or width scale contact factory. The length of a custom scale must be 1-1/2 times longer than the width.