

# Right the First Time

## Safe, Accurate, Service Friendly



### Tank Weighing

SWB605 PowerMount™ weigh modules offer rugged construction and many features for easy installation and accurate and reliable tank weighing. Standard lift-off bolt copes with tipping forces while vertical safety down-stop provides additional safety.



### Conveyors and Mixers

Weigh modules are also designed for dynamic-loading applications such as conveyors, mixers and blenders. SWB605 PowerMount™ provides 360° checking for ease of installation and maximum safety. The rocker pin restores the top plate to its ideal position to maintain accurate, repeatable weight.



### Load Cell

POWERCELL® load cells have a rocker pin design that automatically aligns load forces for accurate weighing. These hermetically sealed load cells are rated IP68/IP69K and can be used in all environments. The load cells are easy to inspect or replace.



### Predictive Maintenance

SWB605 PowerMount™ monitors single load cells for overload, zero drift, foundation problems, etc.; prompting action before system shuts down or measures incorrectly.

CERTIFIED  
**DIN**  
EN 1090



SWB605  
PowerMount™

### SWB605 PowerMount™ EN1090

#### Know What's Ahead

SWB605 PowerMount™ features ensure correct scale system installation, right from the start. Weigh modules do not compromise on safety – all safety features are built-in. The rocker pin design provides the highest level of weighing accuracy. Service features, including SafeLock™ provide easy and trouble free installation.

#### Features:

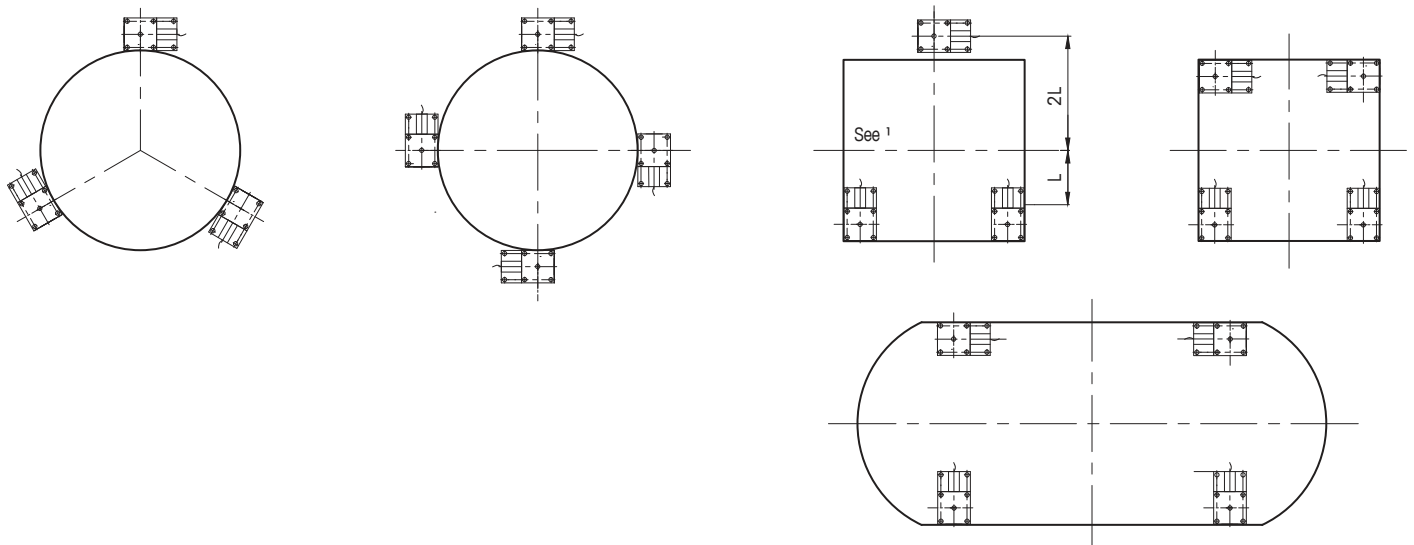
- Integrated lift-off protection
- Vertical safety down-stop
- Full 360° integrated checking
- Ground strap – welding protection
- SafeLock™ – Weigh module locked for installation
- SafeLock™ – Load cell protected for installation
- Dual stabilizer option
- All load cells with IP68/IP69K and fully stainless steel
- Global approvals standard on each load cell
- OIML C3/NTEP III M n:5, OIML C6/NTEP III M n:10 or C10
- Zinc plated or stainless steel mounting hardware
- CalFree™ Plus: Precise calibration on a finger tip
- EN1090 conformity

## SWB605 PowerMount™ EN1090 Specifications – Weigh Module

Weigh Module	unit of measure	Specification				
Model No.		SWB605 PowerMount™ EN1090				
Size		2			3	
Rated Capacity (R.C.)	kg (lb, nominal)	220 (500)	550 (1250)	1100 (2500)	2200 (5000)	4400 (10000)
Max. Rated Forces <sup>1)</sup>						
Max. Compressive Force, Rated	kN (lb)	2.2 (500)	5.4 (1250)	10.8 (2500)	21.6 (5000)	43.2 (10000)
Max. Horizontal Force, Rated	kN (lb)	7.5 (1685)				15 (3370)
Max. Uplift Force, Rated	kN (lb)	16 (3600)				22.2 (5000)
Max. horizontal force (longitudinal) per stabilizer option, Rated <sup>7)</sup>	kN (lb)	5 (1120)				7.4 (1660)
Max. Yield Forces <sup>2) 4)</sup>						
Max. Compressiv Force, Yield	kN (lb)	3.2 (750)	8.1 (1875)	16.2 (3750)	23.3 (5120)	50 (11200)
Max. Horizontal Force, Yield	kN (lb)	9.8 (2200)				22 (4950)
Max. Uplift Force, Yield	kN (lb)	22 (4950)				34 (7640)
Max. Ultimate Forces <sup>3) 4)</sup>						
Max. Compressiv Force, Ultimate <sup>5)</sup>	kN (lb)	90 (20000)				150 (33000)
Max. Horizontal Force, Ultimate	kN (lb)	42 (9400)				48 (10750)
Max. Uplift Force, Ultimate	kN (lb)	50 (11200)				55 (12350)
Restoring Force	%A.L./mm (.../in) <sup>6)</sup>	4.4 (111)				5.5 (140)
Max. top plate travel	± mm (in)	3 (0.12)				3.5 (0.14)
Weight (including load cell), nominal	kg (lb)	6.6 (14.5)			7 (15.4)	15.4 (34)
Material		carbon steel / 304 stainless steel / 316 stainless steel				
Finish		Zinc Plated / Electropolished / Electropolished				
EN1090 conformity		Yes, execution class EXC2				

- <sup>1)</sup> The weigh module is rated for these forces in normal operation, a Factor of Safety has been applied by Mettler Toledo.  
<sup>2)</sup> Warning: if loaded statically one time in excess of these forces, the weigh module may yield and need replacing. The Max. Yield Forces do not consider fatigue/cyclic loading and should be approached only in exceptional circumstances.  
<sup>3)</sup> Warning: if loaded statically one time in excess of these forces, the weigh module may break with potential for serious injury and/or property damage.  
<sup>4)</sup> Warning: apply a Factor of Safety appropriate to the application.  
<sup>5)</sup> The top plate will travel downwards by 5 mm (0.2 inches) before the down-stop engages and this ultimate force can be developed.  
<sup>6)</sup> % of Applied Load (A.L.) per mm (in) displacement of the top plate (transverse & longitudinal).  
<sup>7)</sup> 1 or 2 per weigh module. Max permissible longitudinal force per stabilizer.  
<sup>8)</sup> 0 with Stabilizer.

## SWB605 PowerMount™ EN1090 Weigh Module Arrangements<sup>2</sup>



- <sup>1)</sup> provide equal distribution, but the stability of this arrangement must be assured  
<sup>2)</sup> Weigh modules may be orientated as desired only if stabilizers will not be used

# SWB605 PowerMount™ EN1090 Specifications – Load Cell

Load Cell	unit of measure	Specification														
		30450308	30450311	30450314	30450317	30450320	30450323	30450326	30450329	30450332	30450335	30450338	30539636	30450344	30450347	
Item No.		SLB615D POWERCELL® 12) 13)														
Model No.		SLB615D POWERCELL® 12) 13)														
Rated Capacity (R.C.)	kg (lb, nominal)	220 (500)			550 (1250)			1100 (2500)			2200 (5000)			4400 (10000)		
External resolution	Counts @ R.C.	220,000			550,000			1,100,000			2,200,000			440,000		
External resolution tolerance	%	± 0.04	± 0.02	± 0.04	± 0.02	± 0.04	± 0.02	± 0.04	± 0.02	± 0.04	± 0.02	± 0.04	± 0.02	± 0.04	± 0.02	
Zero load Output	%R.C.	< 0.1														
Combined Error 9) 10)	%R.C.	C3/IIIM n:5: ≤ 0.018 / C6/IIIM n:10: ≤ 0.012 / C10: ≤ 0.007														
Temperature Effect on	Min. Dead load Output	%R.C./°C (...°F)	0.0014 (0.0008)	C3/IIIM n:5: ≤ 0.0011 (0.0006) / C6/IIIM n:10: ≤ 0.0007 (0.0004) / C10: ≤ 0.0007 (0.0004)											0.0009 (0.0005)	
	Sensitivity 10)	%A.L./°C (...°F)	C3/IIIM n:5: ≤ 0.001 (0.0006) / C6/IIIM n:10: ≤ 0.0005 (0.0003) / C10: ≤ 0.0003 (0.0002)													
Temperature Range	Compensated		-10 ~ +40 (+14 ~ +104)													
	Operating	°C (°F)	-20 ~ +65 (-4 ~ +150)													
	Safe Storage		-40 ~ +80 (-40 ~ +176)													
OIML / European Approval 11)	Class		C3	C6	C10	C3	C6	C10	C3	C6	C10	C3	C6	C10	C3	C6
	nmax		3000	6000	10000	3000	6000	10000	3000	6000	10000	3000	6000	10000	3000	6000
	Vmin	g	20	10	37	25	70	50	150	100	290	250				
NTEP Approval 11)	Class		III M n:5	III M n:10	–	III M n:5	III M n:10	–	III M n:5	III M n:10	–	III M n:5	III M n:10	–	III M n:5	III M n:10
	nmax		5000	10000	–	5000	10000	–	5000	10000	–	5000	10000	–	5000	10000
	Vmin	lb	0.05	0.025	–	0.095	0.065	–	0.19	0.13	–	0.38	0.26	–	0.76	0.65
ATEX Approval 11)	Rating		II 3 G Ex nA IIC T6 Gc / II 3 D Ex tc IIIC T85°C Dc													
IECEX Approval 11)	Rating		Ex nA IIC T6 Gc / Ex ec IIC T6 Gc / Ex tc IIIC T85°C Dc													
Factory Mutual Approval 11)	Rating, USA		NI / I, II, III / 2 / ABCDFG / T6 Ta = 55°C													
	Rating, Canada		NI / I, II / 2 / ABCDFG / T6 Ta = 55°C / DIP / III / 2 / T6 Ta = 55°C													
Supply Voltage Non-regulated	Range (nominal)	V DC	10 ~ 26													
Overvoltage Protection (IEEE4-95)	Max. Tested	A	2000 (no outdoor lightning conditions)													
Effective System Update Rate (4 load cells)		Hz	40													
Material	Spring Element		stainless steel													
	Type		welded													
Protection	IP Rating		IP68, IP69K													
	NEMA Rating		NEMA 6/6P													

9) Error due to the combined effect of non-linearity and hysteresis.

10) Typical values only. The sum of errors due to Combined Error and Temperature Effect on Sensitivity comply with the requirements of OIML R60 and NIST HB44.

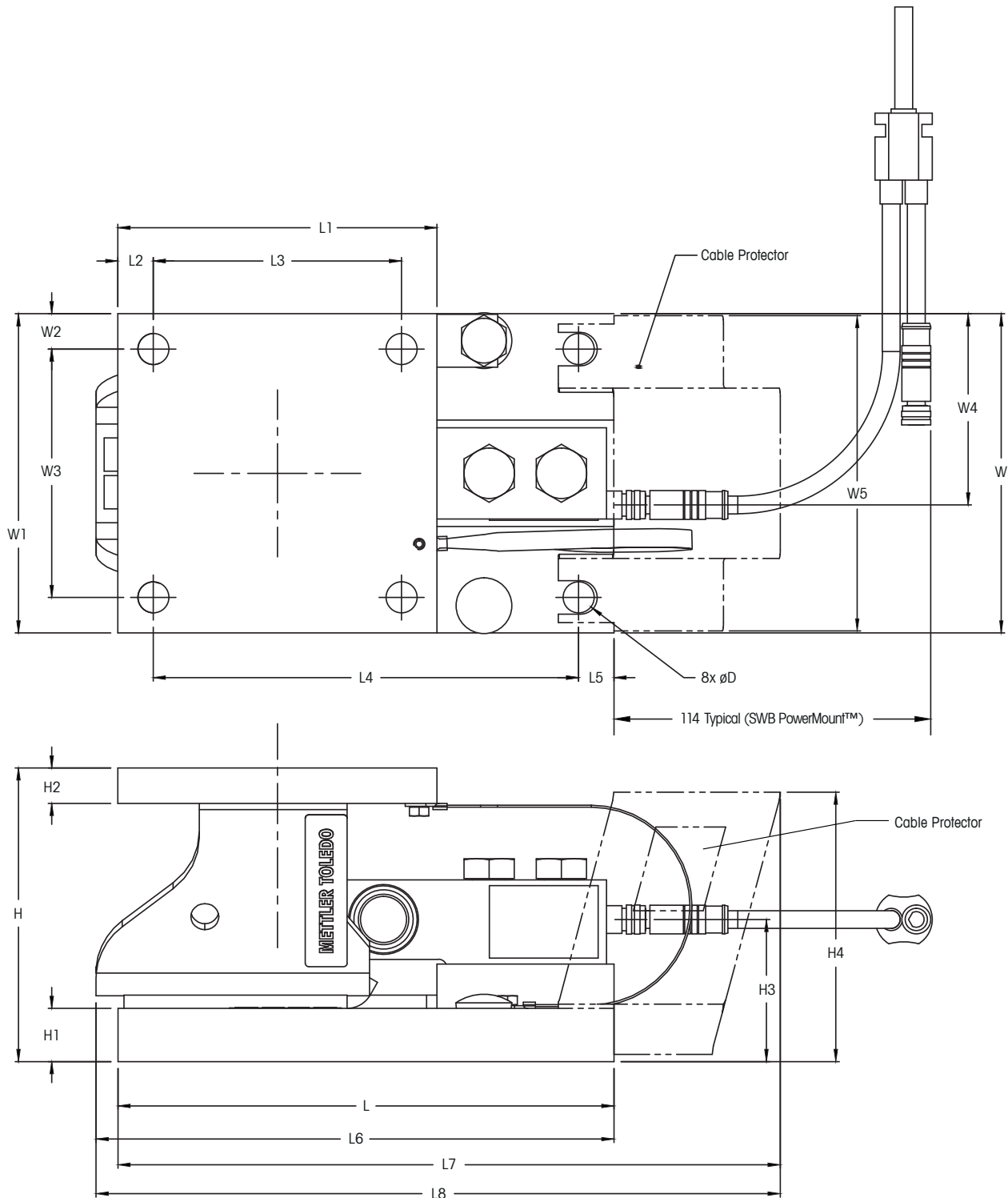
11) See certificate for complete information.

12) Max. 14 load cells / terminal

13) Max. total cable length 90-300m depending on no. of LC and Terminal



# SWB605 PowerMount™ EN1090 Weigh Module with optional Cable Protector Dimensions mm [in]



Size	Capacity	Locations and Dimensions																				
		D	H	H1	H2	H3	H4	L	L1	L2	L3	L4	L5	L6	L7	L8	W	W1	W2	W3	W4	W5
2	220kg – 1.1t (500lb – 2.5klb)	11.2	105.2	19.1	12.7	50.9	96.6	177.8	114.4	12.7	89.0	152.4	12.7	185.6	-	244.6	114.4	114.4	12.7	89.0	68.6	113.0
	2.2t (5 klb)	(0.44)	(4.14)	(0.75)	(0.50)	(2.00)	(3.80)	(7.00)	(4.50)	(0.50)	(3.5)	(6.00)	(0.50)	(7.31)	-	(9.63)	(4.50)	(4.50)	(0.50)	(3.5)	70.6	(4.45)
3	4.4t (10 klb)	17.5	136.6	25.4	19.1	70.3	132.9	235.0	152.4	25.4	101.6	184.2	25.4	-	298.0	-	152.4	152.4	25.4	101.6	92.6	143.0
		(0.69)	(5.38)	(1.00)	(0.75)	(2.77)	(5.23)	(9.25)	(6.00)	(1.00)	(4.00)	(7.25)	(1.00)	-	(11.73)	-	(6.00)	(6.00)	(1.00)	(4.00)	(3.65)	(5.63)

<sup>1)</sup> Height when using thermal isolation pad or shock/vibration pad

## Order Information SWB605 PowerMount™ EN1090 – Weigh Module including Load Cell

Order Information, Weigh Module Assembly				Item No.				
Size	Rated Capacity	Description	Class	Material, Weigh Module				
				CS	304	316		
2	220kg / 500lb	Weigh Module Assembly	C3 / III M n:5	<b>30263340</b>	<b>30263341</b>	<b>30263342</b>		
			C6 / III M n:10	<b>30263355</b>	<b>30263356</b>	<b>30263357</b>		
			C10	<b>30263370</b>	<b>30263371</b>	<b>30263372</b>		
	C3 / III M n:5		<b>30263343</b>	<b>30263344</b>	<b>30263345</b>			
	C6 / III M n:10		<b>30263358</b>	<b>30263359</b>	<b>30263360</b>			
	C10		<b>30263373</b>	<b>30263374</b>	<b>30263375</b>			
	C3 / III M n:5		<b>30263346</b>	<b>30263347</b>	<b>30263348</b>			
	C6 / III M n:10		<b>30263361</b>	<b>30263362</b>	<b>30263363</b>			
	C10		<b>30263376</b>	<b>30263377</b>	<b>30263378</b>			
	550kg / 1,250lb		C3 / III M n:5	<b>30263349</b>	<b>30263350</b>	<b>30263351</b>		
			C6 / III M n:10	<b>30263364</b>	<b>30263365</b>	<b>30263366</b>		
			C10	<b>30263379</b>	<b>30263380</b>	<b>30263381</b>		
	1100kg / 2,500lb		Stabilizer <sup>1)</sup>		<b>61046399</b>	<b>61046400</b>	<b>61046401</b>	
			Dead Stand		<b>61010624</b>	<b>61046402</b>	<b>61946403</b>	
			Shock/Vibration Pad		<b>61005965</b>			
			Thermal Isolation Pad 80°C		<b>61010620</b>			
			Thermal Isolation Pad 170°C		<b>61024642</b>			
			Cable Protector		<b>30315554</b>			
2200kg / 5,000lb		C3 / III M n:5		<b>30263352</b>	<b>30263353</b>	<b>30263354</b>		
		C6 / III M n:10		<b>30263367</b>	<b>30263368</b>	<b>30263369</b>		
		Stabilizer <sup>1)</sup>		<b>61046404</b>	<b>61046405</b>	<b>61046406</b>		
		Dead Stand		<b>61010625</b>	<b>61046407</b>	<b>61046408</b>		
		Shock/Vibration Pad		<b>61005938</b>				
		Thermal Isolation Pad 80°C		<b>61010621</b>				
		Thermal Isolation Pad 170°C		<b>61037510</b>				
		Cable Protector		<b>30315555</b>				
		3	4400kg / 10000lb	Weigh Module Assembly	C3 / III M n:5	<b>30263352</b>	<b>30263353</b>	<b>30263354</b>
	C6 / III M n:10			<b>30263367</b>	<b>30263368</b>	<b>30263369</b>		
4400kg / 10000lb			Stabilizer <sup>1)</sup>		<b>61046404</b>	<b>61046405</b>	<b>61046406</b>	
			Dead Stand		<b>61010625</b>	<b>61046407</b>	<b>61046408</b>	
			Shock/Vibration Pad		<b>61005938</b>			
			Thermal Isolation Pad 80°C		<b>61010621</b>			
			Thermal Isolation Pad 170°C		<b>61037510</b>			
			Cable Protector		<b>30315555</b>			

**Bolded entries are stocked**

<sup>1)</sup> 1 or 2 per weigh module.

## Order Information, Cables

Description	Item No.								
	Cable, material / length								
	PU / 2.5m (8.2ft)	PU / 5m (16.4ft)	PU / 10m (32.8ft)	PU / 15m (49.2ft)	PU / 20m (65.6ft)	PU / 30m (98.4ft)	PU / 50m (164ft)	PU / 100m (328ft)	PU / 200m (656ft)
<b>Cable kit, 3 load cells</b>	30382994	<b>30382990</b>	<b>30382991</b>	-	-	-	-	-	-
<b>Cable kit, 4 load cells</b>	30382995	<b>30382992</b>	<b>30382993</b>	-	-	-	-	-	-
<b>Load cell Y-Cable</b>	30382975	<b>30382976</b>	<b>30382977</b>	-	-	-	-	-	-
<b>Home run cable</b>	-	<b>30382980</b>	<b>30382981</b>	<b>30382982</b>	<b>30382983</b>	<b>30382984</b>	<b>30382985</b>	<b>30382986</b>	<b>30423113</b>
<b>Extension cable</b>	-	<b>30382970</b>	<b>30382971</b>	-	-	-	-	-	-
<b>CAN termination</b>	<b>30382989</b>								
<b>Blind plug</b>	<b>30417485</b>								
<b>Cable gland for home run cable with IND780PDX</b>	<b>30095639</b>								

**Bold entries are stocked**

## Order Information SWB605 PowerMount™ EN1090– Weigh Module without Load Cell

- SafeLock™ allows to install weigh module hardware without load cell to avoid sensor damage
- Use weigh module with dummy load cell for level detection systems

Order Information, Weigh Module Kit		Item No.			Suitable Load Cells			
Size	Rated Capacity	Material, Weigh Module			Item No.			Dummy Load Cell
		CS	304	316	Class			
					C3 / III M n:5	C6 / III M n:10	C10	
2	220kg / 500lb	<b>30263235</b>	<b>30263236</b>	<b>30263237</b>	<b>30450308</b>	<b>30450311</b>	<b>30450314</b>	<b>68000714</b>
	550kg / 1250lb				<b>30450317</b>	<b>30450320</b>	<b>30450323</b>	
	1100kg / 2500lb				<b>30450326</b>	<b>30450329</b>	<b>30450332</b>	
	2200kg / 5000lb	<b>30263238</b>	<b>30263239</b>	<b>30263240</b>	<b>30450335</b>	<b>30450338</b>	<b>30539636</b>	<b>61005963</b>
3	4400kg / 10000lb	<b>30263241</b>	<b>30263242</b>	<b>30263243</b>	<b>30450344</b>	<b>30450347</b>	-	<b>61005964</b>

Bolded entries are stocked

## Home Run Cable POWERCELL® SLB615D

Colour	Function
Yellow	Shield
Blue	CAN_L
White	CAN_H
Red	V +
Black	V -

## Full Connectivity

METTLER TOLEDO supplies various data communication interfaces that enable our sensors and instruments to communicate with your PLC, MES, or ERP systems.



## Weighing Electronics

METTLER TOLEDO offers a complete family of electronics from simple weighing to application solutions for filling, stock control, batching, formulation, counting, checkweighing.



## METTLER TOLEDO Service

Our extensive service network is among the best in the world and ensures maximum availability and service life of your product.



**Mettler-Toledo GmbH**  
Industrial Division  
CH-8606 Nänikon, Switzerland  
Tel. + 41 44 944 22 11

Local contact: [www.mt.com/contacts](http://www.mt.com/contacts)

Subject to technical changes  
© 07/2019 Mettler-Toledo GmbH  
MarCom Switzerland  
MTSI Document-No: 30242873

[www.mt.com](http://www.mt.com)

For more information