

# Compact Weighing Systems



## ICS241 Compact Scale

Easy operation

Highly efficient data management

Versatile industrial applications

**Precise, Convenient, Smart, Efficient**  
For Counting and Weighing Applications

**METTLER TOLEDO**

# A Great Fit

## For Many Industrial Applications

ICS241 is a new counting and simple weighing scale with applications for various industrial environments, e.g. production, warehouse and logistics, packaging and quality control. It offers an easy-to-use human-machine interface, thanks to intuitive LCD display and alphanumeric keypad, for easy and fast operation. Smart database management improves productivity, helping you avoid operator errors and reduce risk and cost. It is a great fit in many industrial applications, e.g. label printing, mobile operation.

### Smart Database Management

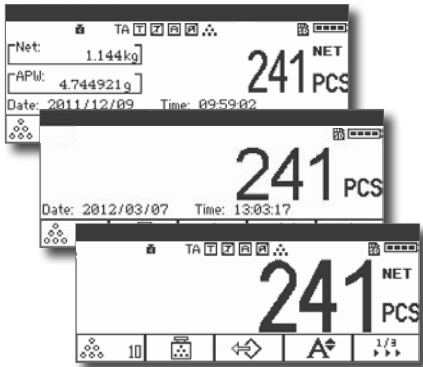
Transaction database can save each counting/weighing result and up to 30,000 entries via SD card for traceability. Export. csv files from SD card to PC in MS Excel.



	A	B	C	D	E	F	G	H	I
1	Rec. no.	Date	Net	Tare	Gross	Art. name	Art. no.	APW	Quantity
2	000 005	2012/1/4	1.500 kg	1.500 kg	3.000 kg	Screw	1001	29.99933	50
3	000 006	2012/1/4	1.500 kg	1.500 kg	3.000 kg	Screw	1001	29.99933	50
4	000 007	2012/1/4	1.500 kg	1.500 kg	3.000 kg	Screw	1001	29.99933	50
5	000 008	2012/1/4	3.000 kg	1.500 kg	4.500 kg	Screw	1001	29.99933	100
6	000 009	2012/1/4	3.000 kg	1.500 kg	4.500 kg	Screw	1001	29.99933	100
7	000 010	2012/1/4	4.500 kg	1.500 kg	6.000 kg	Screw	1001	29.99933	150

ICS241 provides article database, managing up to 1,550 entries via SD card.





### Intuitive LCD Display

Dot-Matrix LCD displays shows text and graphics for excellent operator guidance. All relevant information is shown on one screen. Three different display styles are available for your convenience.



### Batteries for Mobile Operation

The ICS241 has an easily accessible battery compartment with six D-size dry or rechargeable batteries for self-contained operation time of up to 100 hours.



### RS232 Interface

- ICS241 offers reliable RS232 connectivity to external devices.
- Connect to barcode scanners, Recall the article info for easy-to-manage thousands of article IDs.
- Connect to label or receipt printers directly, Reduce the equipment cost and increase efficiency.
- Integrate to an existing ERP or Warehouse Management system.

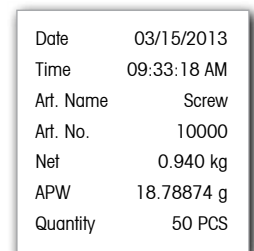


### Alphanumeric Membrane Keypad

Configurable softkeys for fast access to key function, such as sampling and counting. Numeric keypad for fast input of tare or sample weights.



Label

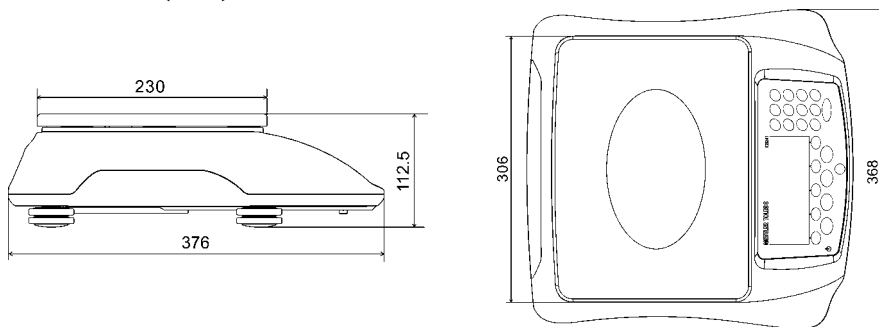


Receipt

## Technical Details

<b>Capacity</b>	3 kg, 6 kg, 15 kg, 30 kg
<b>Readability</b>	3,000 d(factory), 6,000d, 15,000 d, 30,000 or 60,000 d
<b>Units</b>	g, kg, lb, oz, t
<b>Approval</b>	OIML, III, 3,000 e
<b>Display</b>	Dot-Matrix LCD with white backlight
<b>Power</b>	Adapter, 100-240V/50Hz 6 pcs D type battery
<b>Interface</b>	One RS232 for standard
<b>Material</b>	Housing: Plastic Load Plate: Stainless steel, AISI304
<b>Platform Size</b>	230 x 306 mm
<b>Language</b>	English, German, Spanish, French, Italian, Korean, Chinese
<b>Functions</b>	Simple weighing, counting Totalizing, Check counting/weighing
<b>Applications</b>	Transaction database Up to 30,000 records via SD card
	Article database Standard 50 IDs, up to 1,550 IDs via SD card
	Label printing Zebra label printer and customized template

## Dimension (mm)



[www.mt.com](http://www.mt.com)

For more information

### METTLER-TOLEDO AG

CH-8606 Greifensee  
Switzerland  
Phone +41 44 944 22 11  
Fax +41 44 944 30 60

MTSI 30220398